

CONTENT

1. Package Contents.....	2
2. Product structure.....	2
3. Technical parameters.....	4
4. Curve.....	5
5. Steps of assembling.....	5
6. The control system structure and functions.....	11
7. Attentions.....	13
8. Troubleshooting.....	15
9. Daily maintains.....	16
10. Safety Precautions.....	16
11. Contact us.....	17

Dear Owner:

Congratulations! You have just purchased the most technologically advanced small-sized wind turbine system in the world—Hummer wind turbine.

We appreciate your purchase, and are proud of providing the excellent product to you.

Before going any further, please completely read the owner's manual, although it is easy to install your wind turbine by yourself.

We have made great efforts to satisfy your requirements in the aspects of design, manufacture, operation, applicability, etc.

Please keep the manual carefully for further reference.

If you have any questions or comments, we would like to hear from you.

Again, thanks for your purchase and wish you enjoy the convenience that Hummer Wind turbine brings to you.

Thanks for using Hummer wind turbine-----high quality and original technology

1. Package Contents

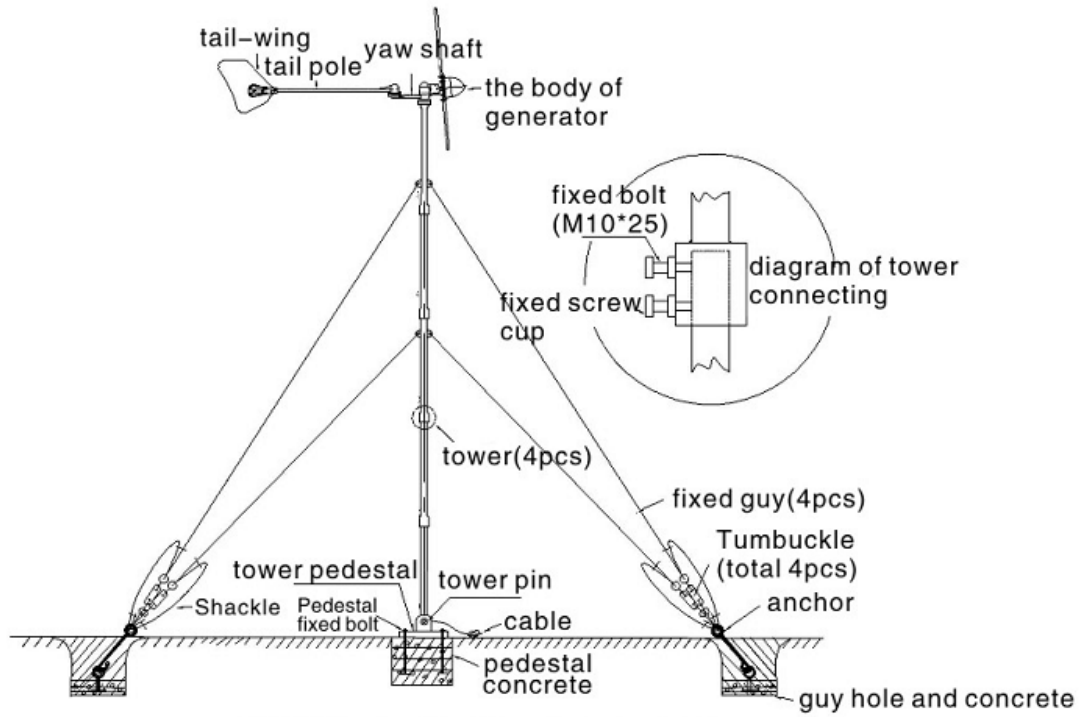
Before you begin, inspect the contents to make sure there is no damage or missing parts.

Your HUMMER wind turbine is shipped in 5 boxes:

Labels on outer packing box	Name of the box	Size of outer packing box	Bill of materials
2000W-1	Generator box	340mm×340mm×426mm	Generator(1), owner's manual(1)
2000W-2	Inverter box	595mm×595mm×395mm	Inverter(1), tail wing (1)
2000W-3	Rotor blades box	2225mm×318mm×273mm	A set of Yaw shaft with cable(24m), tail pole(1), rotor blades(3), accessory box [turnbuckle (8 for Model OO), lock catch(48), connecting line of battery(2 for 0.8m, 9 for 0.3m), the fixed bolt for tower(8, M12*25), the connecting bolt of flange and tower(6, M12*40), connecting bolt of generator and yaw shaft(4, M12*45)
2000W-4	Tower box	2190mm×425mm×314mm	tower(5 sections, Φ 120mm, length 2000mm)
2000W-5	Pedestal box	420mm×420mm×198mm	Pedestal(1), pedestal pin (1), a set of wire rope (Φ 8mm, 4 for 13m, 4 for 9m, 8 for 0.8m)

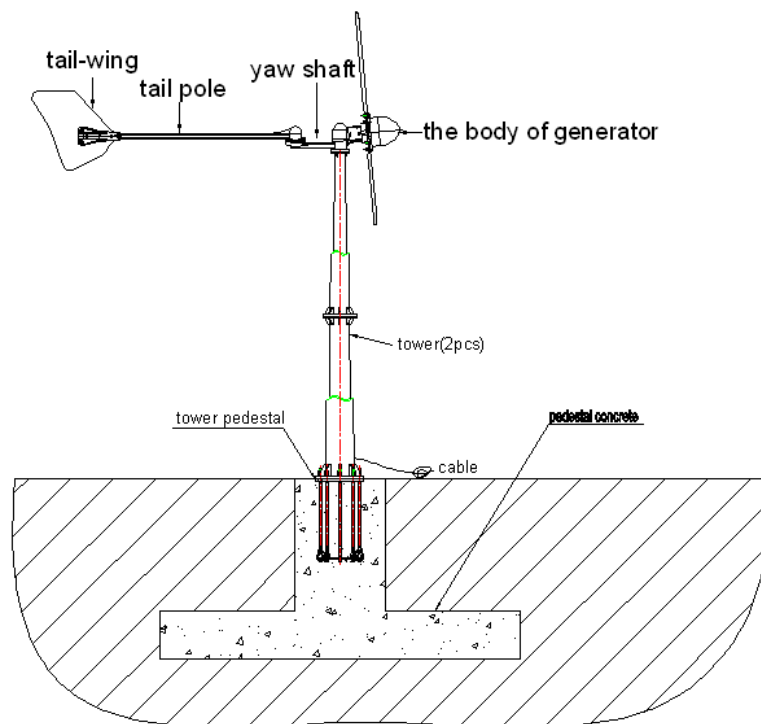
2. Product structure

2.1 Structure of guy tower

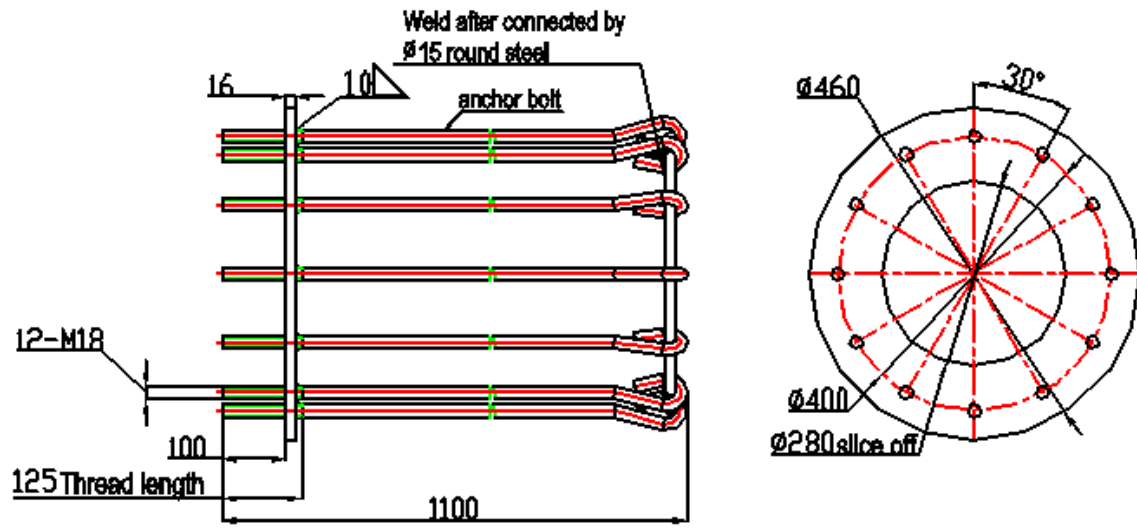


2000W wind turbine frame chart

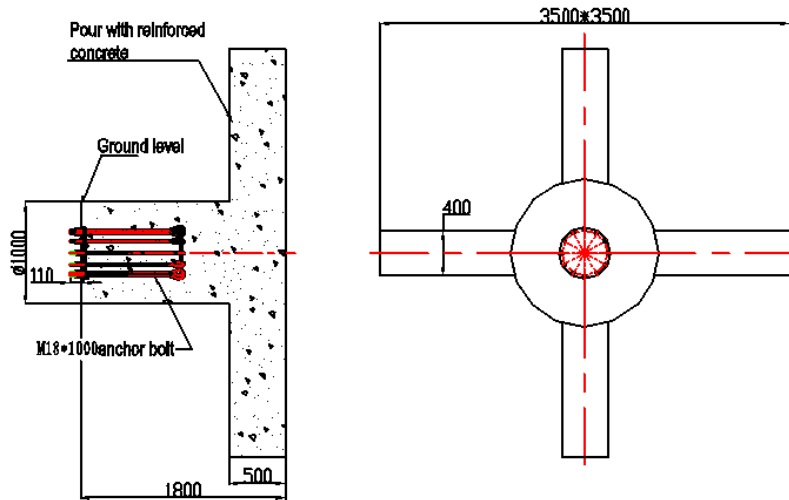
2.2 Structure of wireless tower



2.2.1 Size of tower pedestal



2.2.2 Size of pedestal concrete

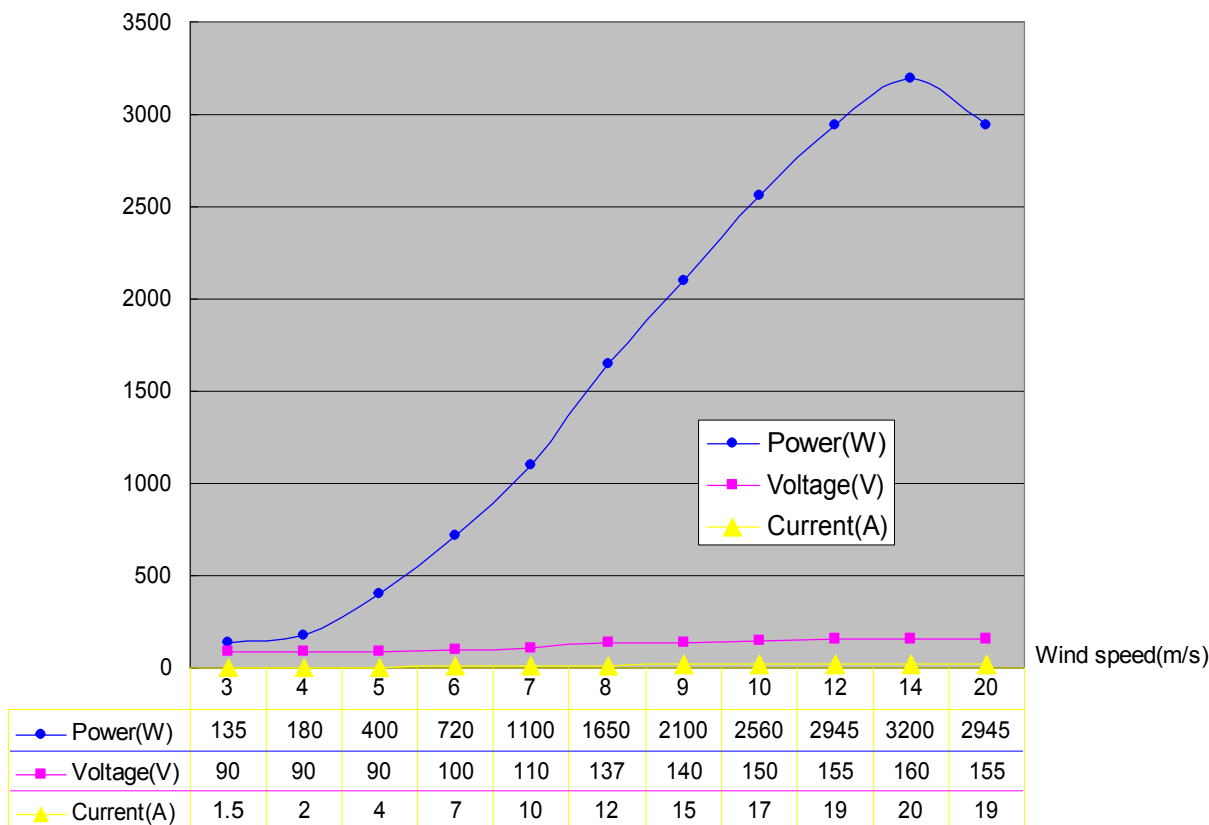


2000W Working drawing of wireless tower pedestal concrete

3. Technical parameters

Rated power(W)	2000
Maximum output power (W)	3200
Charging voltage (V)	DC 120V
Blade quantity	3
Rotor blade material	GRP
Rotor blade diameter (m)	3.8
Start-up wind speed (m/s)	3.0
Rated wind speed (m/s)	9.0
Rated rotating rate (r/min)	450
Wind energy utilizing ratio (Cp)	0.45
Generator output	single-phase frequency conversion AC
Rated charging current (A)	15
The maximum charging current (in a short time)(A)	28
output AC frequency (Hz)	0~370
Generator efficiency	>0.8
Tower diameter(mm)	Φ118X4
Tower height(m)	10
The weight of generator(kg)	25
Battery 12V 150Ah/200Ah	10pcs

4. Curve



Hummer 2000W Wind generator

5. Steps of assembling

5.1 Open the packing box

Hummer Wind Turbine – 2KW consists of 5 packing boxes.

Open the boxes and check the packing list to make sure every part is included.

Inspect the contents to make sure there is no damage or missing parts.

Any damage to the products caused by transportation be found, please contact to the locale distributor. If the products are directly sent to you by our company, please contact the shipping company, because only the consignee has right to claim.

We suggest you preserving the package in case to use for future transportation.

5.2 Choosing the site

The wind turbine should be erected high and far away from obstacles as possible in order to get relatively high wind speed. Meanwhile soil quality of installation location should be taken into consideration. Loose sands, uneven or easily influenced by weather condition areas should be excluded from installing the wind turbine. When selecting the locations, it's necessary to consider the distance between generator and accumulator. The shorter the distance is, the less cable would be used. As a result, less energy consumption would be produced during the transmission. While under the circumstances of longer distance, it's better to use much thicker standard cable

for the transmission.

5.3 Pre-making pedestal and digging hole

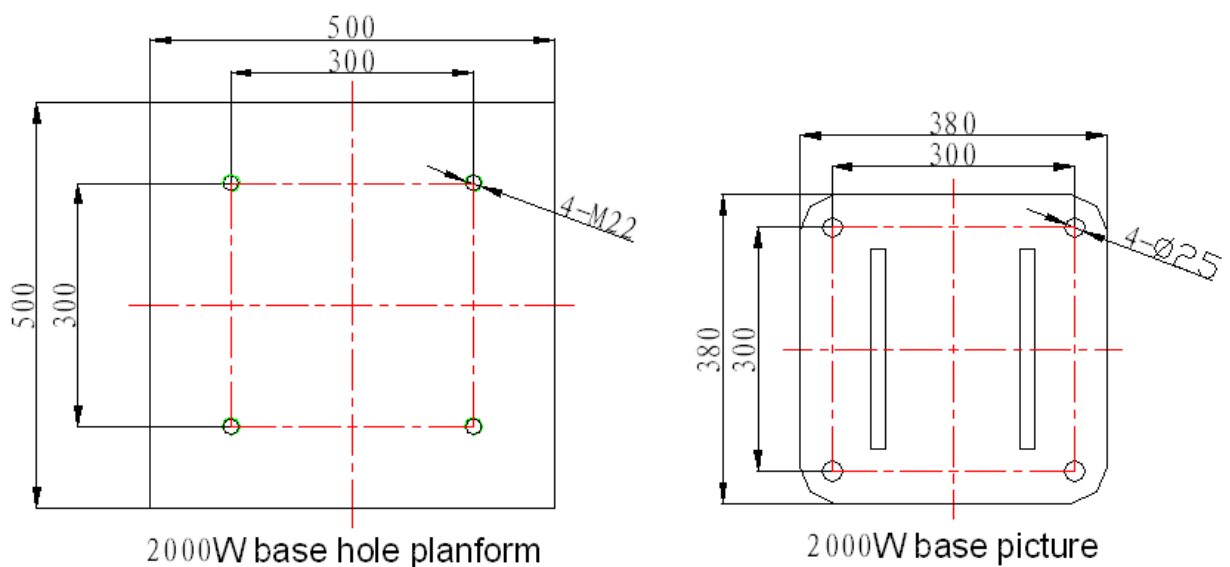
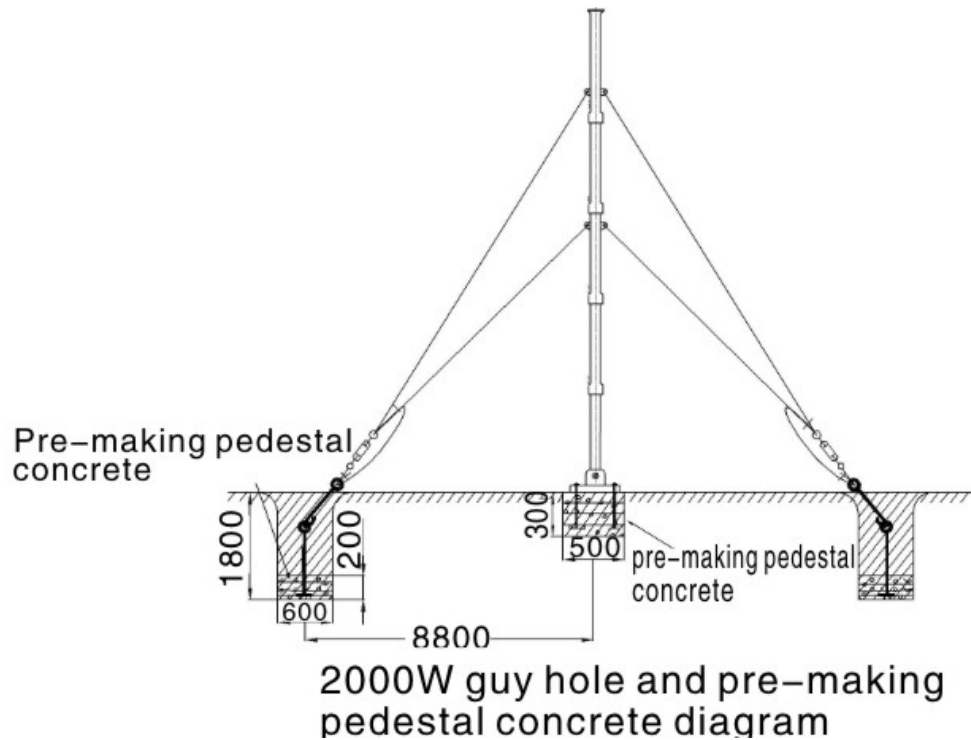
1. Pre-making the tower pedestal

Pre-make one tower pedestal and four guy pedestals by concrete (C25).

Size of the concrete of tower pedestal: 500×500×300 mm (L*W*H)

Size of the concrete of guy pedestal: 600X400X200(L*W*H)

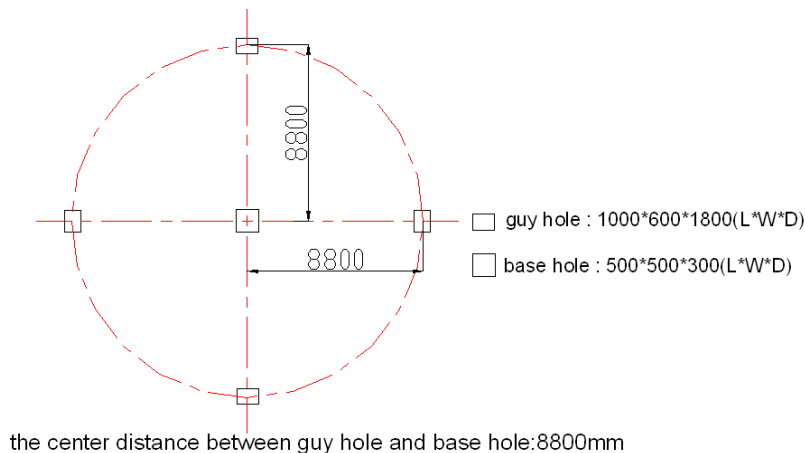
Size of tower pedestal: 380×380×12mm (L*W*H)



ATTENTION: the fixed loop on guy pedestal and the connecting rod shall be made of stainless steel. Ordinary steel can be used only after special anticorrosion treatment, such as Hot Galvanizing.

2. Digging the hole

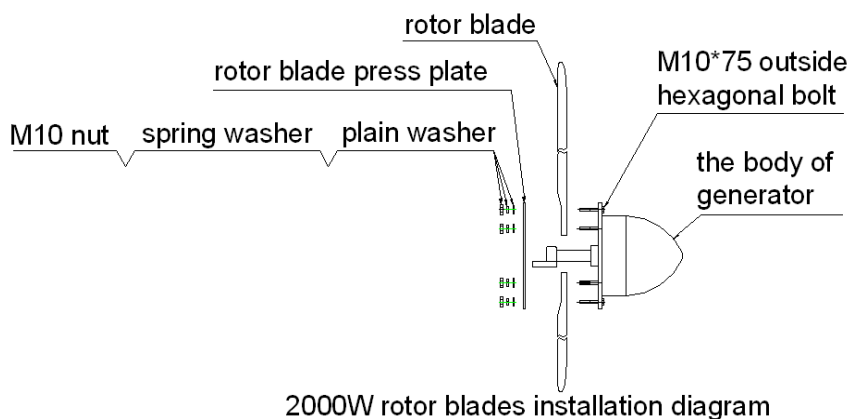
Dig the hole refer to the given size, then put the tower pedestal & guy pedestals inside the hole, at last level up the ground. The guy fixed loop must be outside of the guy hole.



5.4 Connection of blades, yaw shaft, tail pole and tail wing

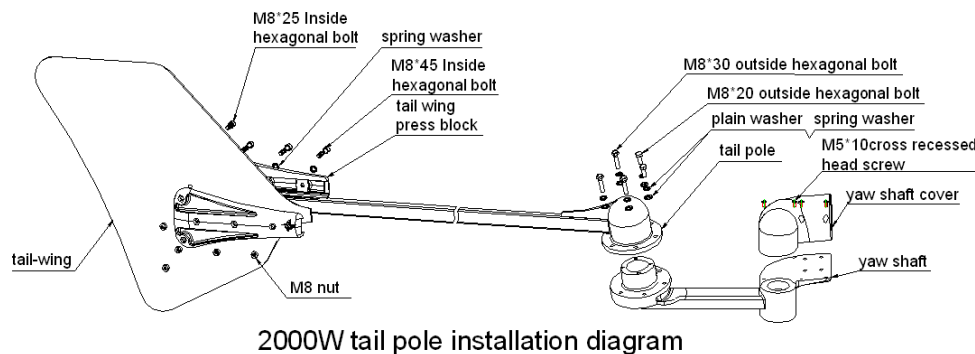
1. Take out the generator, then remove the protection cover, and last take off nuts and bolts and the flange.

2. Take out the blades, connect the 3 blades properly to the flange(Blades need exact position; as a result bolts and holes that punched on blades connect tightly, please hit the bolts in the corresponding hole), and then cover the flange, and last pinch the nuts and cover the protection cover.



ATTENTION:

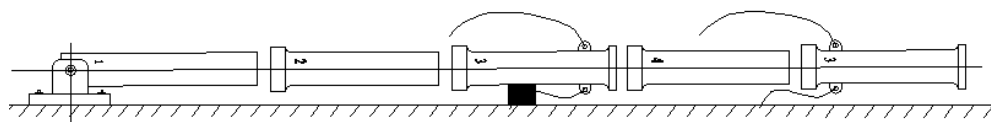
1. The side which marked with “front” shall be adown, and windward.
2. All the 3 rotor blades have passed the balance test, it needs to use together. Please don't disorderly use the rotor blades belonging to the other generators.



5.5 Connection of tower and the connection of tower and generator

1. Connect the tower from bottom up 1→2→3→4→5. Connect the first tower to the pedestal by pedestal pin and fasten the nut and bolt at the connecting point.

ATTENTION: Directions of 4 lugs on the third section for guys are corresponded with the guy holes.



2000W tower connection

2. Pulling-in cable

Place the tower on the supporting stand whose height is about 1.2m-1.5m, pull the cable under the yaw shaft through the tower pipe with iron wire.

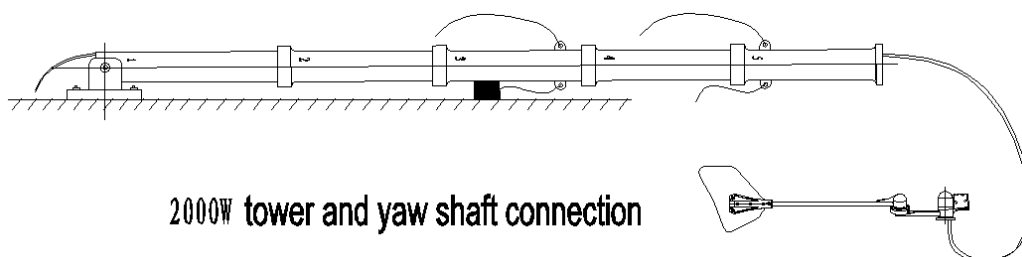
Connect the 4 guys to tower properly, and then connect the guy under the tower and other two guys on both sides to guy pedestals, and then fit the safety twist lock to prevent turnbuckle looseness.

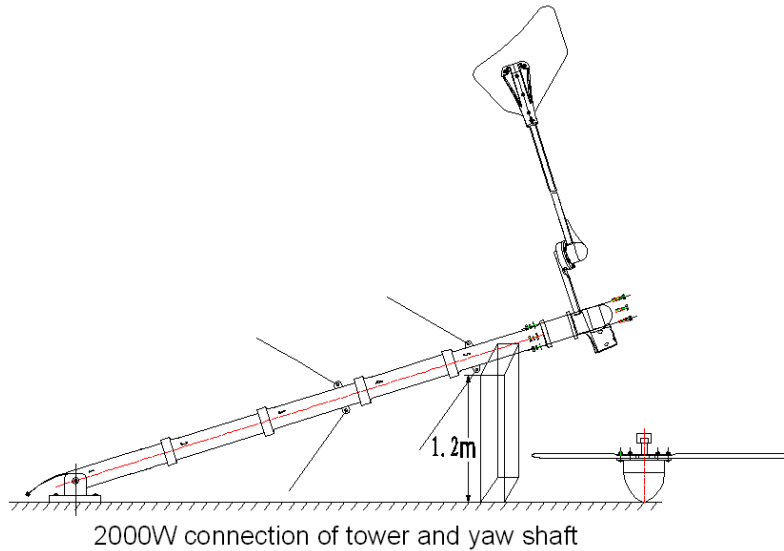
3. Connecting of tail pole, yaw shaft, and tail wing

- a. Connect tail pole to yaw shaft.
- b. Connect tail pole to tail wing.

4. Connect yaw shaft and tower

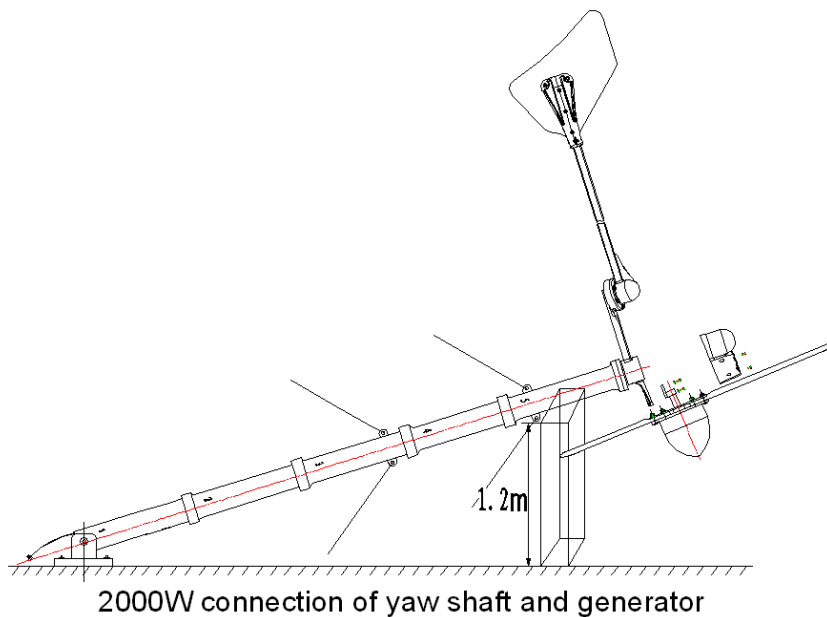
Connect the yaw shaft, tail pole, and tail wing to the tower.





5. Connection of yaw shaft and generator

Take off the protection cover of the Yaw shaft, Connect the generator with blades to yaw shaft, and then connect the two output wires well to the connector base, and last cover the protection cover.



5.6 Erecting the wind turbine

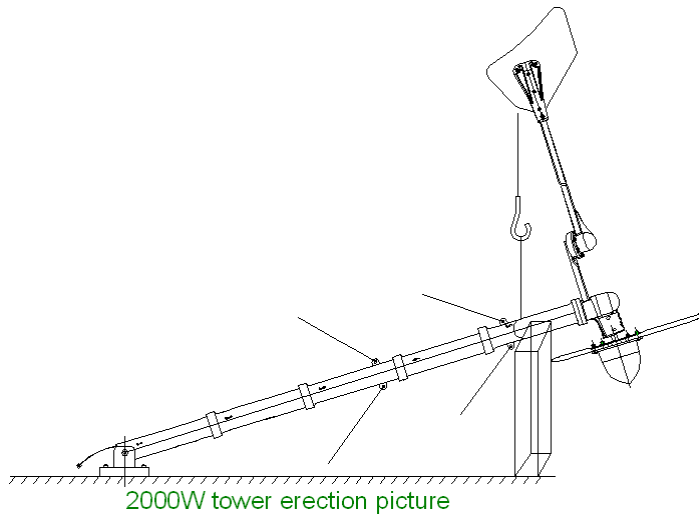
Suggest method: Two methods

1. Use the crane

ATTENTION:

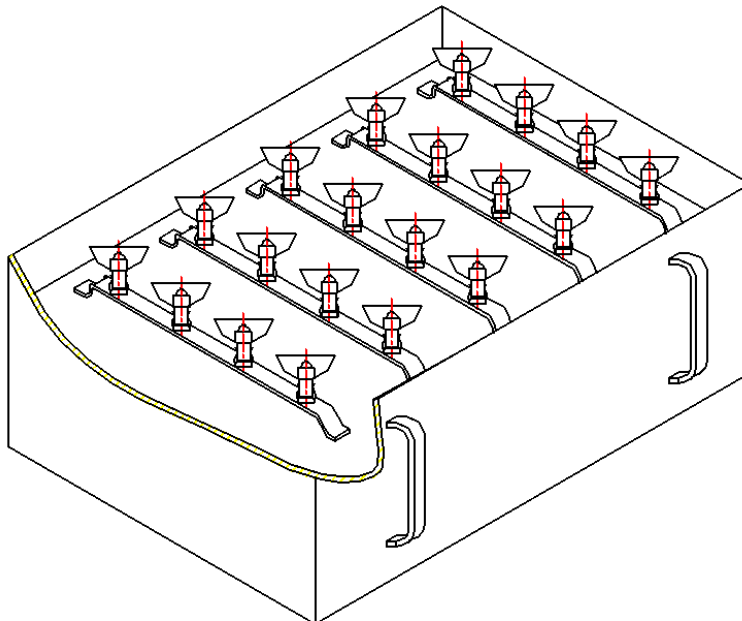
- ◆ It is important for you to consult with a local specialized tower installation technician, and you will need someone available to help during the installation process.
- ◆ Make sure the two cables are short circuit and connected together to avoid blades rotation during the process of erecting up.

- ◆ Make sure every connection point of guy and guy ring is fitted with twist lock to avoid turnbuckle looseness during adjusting.
- ◆ Safety shall be first concern in the process of erection and adjusting, be careful of tower falling.



5.7 Connection of generator and control system

1. Open the upper cover of the inverter, take the unloading lights out, and set them up, and then close the cover.



2. Turn on the inverter switch, check whether AC is outputting.

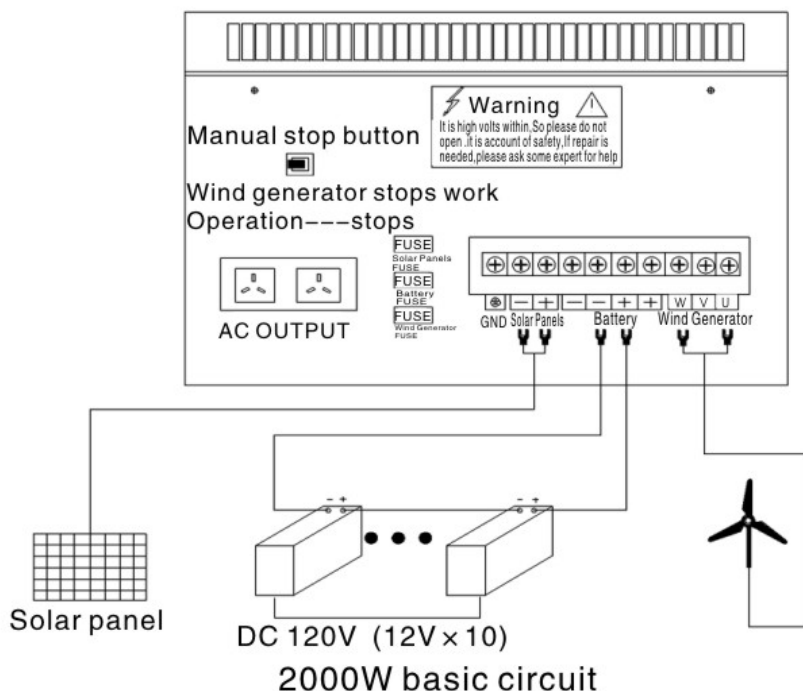
Hummer 1000W wind turbine collocates 10pcs 12VDC batteries in series. Open the protection cover at the rear of inverter; connect the battery and the control system.

ATTENTION: connect the battery's anode to (+) on the inverter, connect the battery's cathode connects to (-) on the inverter, and then check if there is AC output.

3. Take off the cables of wind Generator from short circuit connecting base, and then connect them to the control system. The wind generator will run and charge the batteries if it is windy.

ATTENTION: There is no polarity difference when connecting the generator's cables to the

control system.



5.8 Distance between two wind turbines

16m is the ideal distance between two 2kw wind turbines.

5.9 Points for attention during assembly

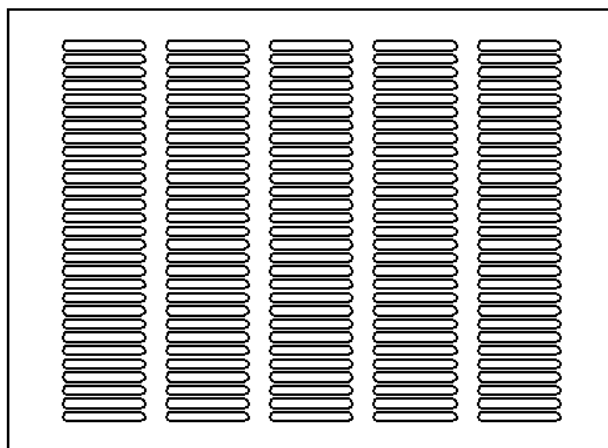
1. Choose calm weather (wind speed ≤ 10/s) to install Hummer wind turbine. Before erecting the wind turbine, check the short circuit connecting base to assure the two cables are short circuit absolutely and the blades will not rotate.
2. Make sure the tower is perpendicular to the ground, or the blade will not work optimally especially in low wind.
3. Please evaluate the guys' length before erecting the tower. Every connection point of turnbuckle is fitted with twist lock to prevent tower falling if the turnbuckle looseness.
4. The rotor blade is made up with 3 blades which are balanced strictly; please don't mix the blades from two different generators disorderly; otherwise the rotor blade will run abnormally which will result in serious shaking.
5. The power generated by off- grid wind turbine will charge batteries after rectified, different wind turbine collocates different numbers of batteries, please strictly follow the owner's manual to choose the right number, if batteries' voltage is too high or too low the generator system may work improperly or some parts of the system could burn out.
6. Emergency shut-down
Please manually switch off the wind generator before typhoon or gale coming. Set the switch to the "STOP" position, the wind turbine will stop due to short circuit. Set the switch to "OPERATION" position after wind, the wind turbine will resume to work.

ATTENTION: the manual stop switch can only be used with low wind speed or wind turbine is not working.

6. The control system structure and functions

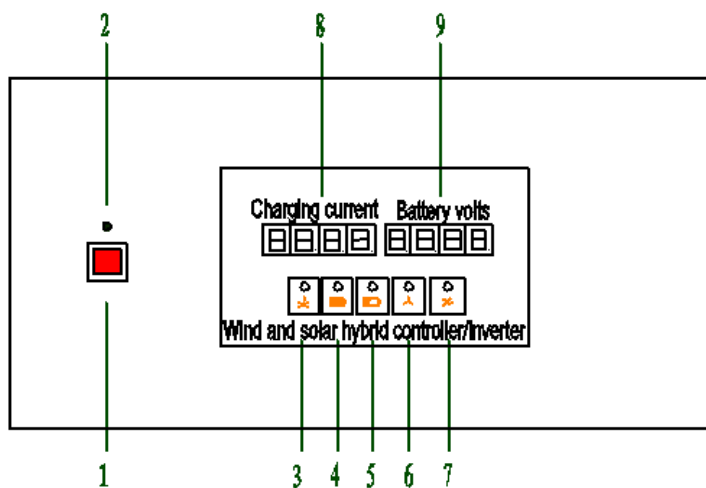
1. Rectify AC to DC to charge the batteries.
2. Invert DC to single-phase sine wave AC to supply users.
3. The controller will deliver the power to diversion lights if the battery has been fully charged.

6.1 Upper panel



2000W inverter upper panel

6.2 Front panel



- 1.Power switch 2.Inverter indicator light 3.Abnormal indicator
 4. Over charge indicator 5. Over discharge indicator
 6. Wind turbine working indicator 7. Inverting indicator
 8. Charge indicator 9.Battery voltmeter

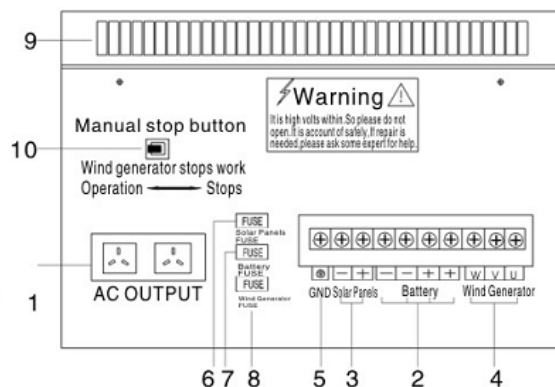
2000W inverter front panel

- ① Power switch: Turn on/off the inverter. Pure sine wave AC will be output after inverting.
- ② Inverter indicator light

- ③ Abnormal indicator: The whole used power overrun the rated one
- ④ Overcharge indicator: When the charge voltage rises up to the protection voltage (15V/pcs), the wind turbine stops generating power to protect the system. When the battery voltage drop to the recovery voltage (13.5V/pcs), the wind turbine resumes rotating and begins normal charging of the battery.
- ⑤ Over discharge indicator: When the voltage drop to the protection voltage (10.5 V/pcs), the inverter will stop work, the over discharging indicator light will light up. When the battery voltage rises up to the recovery voltage (11.5V/pcs), the inverter resumes working after restarted.
- ⑥ Wind turbine working indicator: When the generator and solar panel are charging the battery banks, the charge indicator lights up
- ⑦ Inverting indicator: This light will burn when the inverter is working, and it will stop working when the battery is over discharging, overloading, or short circuiting. Restart the inverter after 5 seconds the inverter will resume to work, if not; please check whether the problems have been settled The inverter will stop working automatically in the overheating condition, and it will recover when the temperature lower down.
- ⑧ Charge indicator: Display the current charging in battery.
- ⑨ Battery voltmeter: Display the voltage of battery

6.3Rearpanel

There is a manual stop button on the upper panel of inverter. When switchthe button to "work" position, generator and storage battery connect and the system works in normal condition. When switch to "stop" position, generator stops running as the two output cables are short together. When typhoon approaches, please switch the button to "stop" position to make generator stop working.
 Tips: You can just switch the button from "work" to "stop" only when the rotor blades running slowly. If not, this action will cause great impact on generator..



- 1.AC output jack 2.Battery connection terminal 3.Solar panel connection terminal
- 4.Wind generator connection terminal 5.Grounding 6.Solar panel fuse
- 7.Battery fuse 8.Wind generator fuse 9.Fan 10.Manual stop button

2000W Inverter back panel

ATTENTION: the manual stop switch can only be used with low wind speed or wind turbine is not working.

ATTENTION:

All the fuse parameters of solar battery, battery, wind power generator are 500V, 30A.

7. Attentions:

- 1. Battery connection

The wind turbine-2kw is matched with 10pcs batteries (12V120AH-200AH). Firstly, connect the

10pcs in series. Secondly, connect the batteries to controller. The battery has anode and cathode, connect the red to anode (+), the back to cathode (-).

NOTE: please charge the new batteries with city grid prior to using.

2. Connection of solar panel

The controlling equipment of Hummer-2kw can connect solar panel (1000w) simultaneously. Please contact our company or the local franchiser for details.

The solar battery has anode and cathode, connect the red wire to anode (+), the back wire to cathode (-).

3. Turn on the inverter switch before using load.

4. To protect wind turbine, please manually set the controller switch to stop before severe typhoon coming.

5. Attention

Do not let the controller affected with rain & damp to decrease the dangers of fire and electric shock. Please use the controller in a well ventilated place, which will help to output the heat.

★ Do not put the controller on textiles such as bed, sofa, and cloth for the better airing.

★ Sweeping

Please close the inverter before sweeping, do not use any water, soft cloth will be the perfect choice.

★ Heat producer

Put the controller far from heat producers, such as heater, heat regulator, heating furnace and any other heating products.

★ Wire

The supply line should be located at the place which can't be stamped, and also can't be pressed by other things. The plug, socket, and supply line all need special protection.

★ Overload

All the overload actions will lead to fire or electric shock.

★ Stuff

Do not put anything inside the machine or it will cause short circuit, fire and electric shock.

★ Moisture

Any kind of liquid should be put far away from the machine.

★ Repair

Any kind of repair of the owner is forbidden; please contact the authorized technicians for help.

8. Troubleshooting

problems	possible cause	solution
Inverter indicator lights up without outputting AC voltage	1.The outlet and plug are not fixed enough 2. The fuse has blown	1.Fix the outlet and plug 2.Change the fuse

Inverter indicator not lights up & without AC voltage	<ol style="list-style-type: none"> 1. If the over discharging indicator is lighting that maybe the battery is under voltage. 2. If the over discharging indicator is lighting that maybe because of overload 	<ol style="list-style-type: none"> 1. Charge the battery 2. Reduce the load
Generator is running but without AC display and can't charging	<ol style="list-style-type: none"> 1. The wind speed is too low to reach the requirements of voltage 2. The fuse has blown 	<ol style="list-style-type: none"> 1. Need a normal wind speed, which can help to reach the required charging voltage. 2. Change the fuse
Abnormal indicator is lighting, buzzed, can't be reset	<ol style="list-style-type: none"> 1. The wind is too strong 2. The load is too heavy 	<ol style="list-style-type: none"> 1. Manually stop the machine 2. Lighten the load
Both the overcharging indicator and unload indicator are not light	<ol style="list-style-type: none"> 1. The wind is not strong enough 2. The unload indicator is broken 	<ol style="list-style-type: none"> 1. Make sure the wind speed 2. Change the unload indicator
The blades rotate unsteadily	Blades out of balance	Check if the blade assembled disorderly, or change another set of blades
The rotor blades move slowly with enough wind	<ol style="list-style-type: none"> 1. Short circuit of wirings 2. The generator is burnt down 	<ol style="list-style-type: none"> 1. Check whether the wire has short circuited 2. Change another generator
Rotor blades rotate faster than usually	Generator loses load	Check if the output line and the fuse are broken, and then reconnect the load

9. Daily maintains

The Hummer wind turbine is highly reliable and does not need regular maintenance. However, the overall system of wind turbine must be inspected and maintained regularly to ensure the system's normal operation.

9.1 Guy inspection

Check the tower guys for loosening and fasten any loosened wiring in a timely manner. Carry out this inspection multiple times in the initial three months after tower erection. It is also necessary to check wiring after gales.

9.2 Screw inspection

Check the screws on flange, yaw shaft and tower, and then fasten the them, at least twice every year.

9.3 Transmission line inspection

Check to see if various connecting points of the wires are well-connected or are corroded.

9.4 Battery Maintenance

Regularly check and maintain the battery bank as per the maintenance requirements of

the batteries.

9.5 TIPS

Do not stand near the turbine during gale weather.

It is recommended that you lay down the tower or bid blades with tower in the case of approaching extremely rough weather (such as typhoons or hurricanes) to avoid accidents.

10. Safety Precautions

The Hummer wind generator is designed under strict safety regulations. However, any electrical and/or mechanical equipment during installation or operation can cause potential inherent dangers, if the proper safety precautions are not taken. Please read the following safety precautions thoroughly before you choose the turbine location, plan to install or operate the turbine.

10.1 Mechanical hazards

Rotating blades can move fast enough that the tip of a blade is almost invisible, which can cause serious injury or damage to anything it contacts. Do not install the turbine where anyone can come in contact with the blades.

10.2. Electrical hazards

◆ The product is equipped with needed protection device to avoid electrical dangers. Don't forget that the potential dangers still exist in the turbine, so please be careful during the process of connecting wires and other electronic equipments.

◆ undersized wire or a bad connection can cause over-current electrical dangers and overheating in wiring systems that could cause fire or other personal dangers. Thus it is important to check the wire connections in daily times.

◆ Please strictly follow the manual when you operate the controller.

◆ Fire will be initiated by the short circuit of batteries. In order to avoid this threat, you should make sure the fuse in a good condition.

10.3 Assembling hazards

Please follow the basic condition during assembling:

- Safety first
- Choose calm weather
- Stand on the earth when you install the system.
- Have someone available to help
- Make sure that the rotor blade not rotating when linking the battery wires.
- Rotor blades can be fixed after connecting generator and tower. Please lay the tower down on the ground before fixing blades.

10.4 NOTICES:

This information is believed to be correct and reliable. However, Hummer Company assures no responsibility for inaccuracies or omissions. The owner of this information and product assumes full responsibility and risk owing to improper usage or improper comprehension.

Hummer Company has the final power to interpret this manual.

11. Contact us

Add: Room 2904, Building No.5, Jindi international city, No. 88 South of Ma'anshan road, Hefei, Anhui province, China

TEL for sale: +86-551-3441230

+86-551-3444231

FAX for sale: +86-551-3442991

E-mail: hummerpower@163.com

Website: [Http://www.chinahummer.cn/eng](http://www.chinahummer.cn/eng)